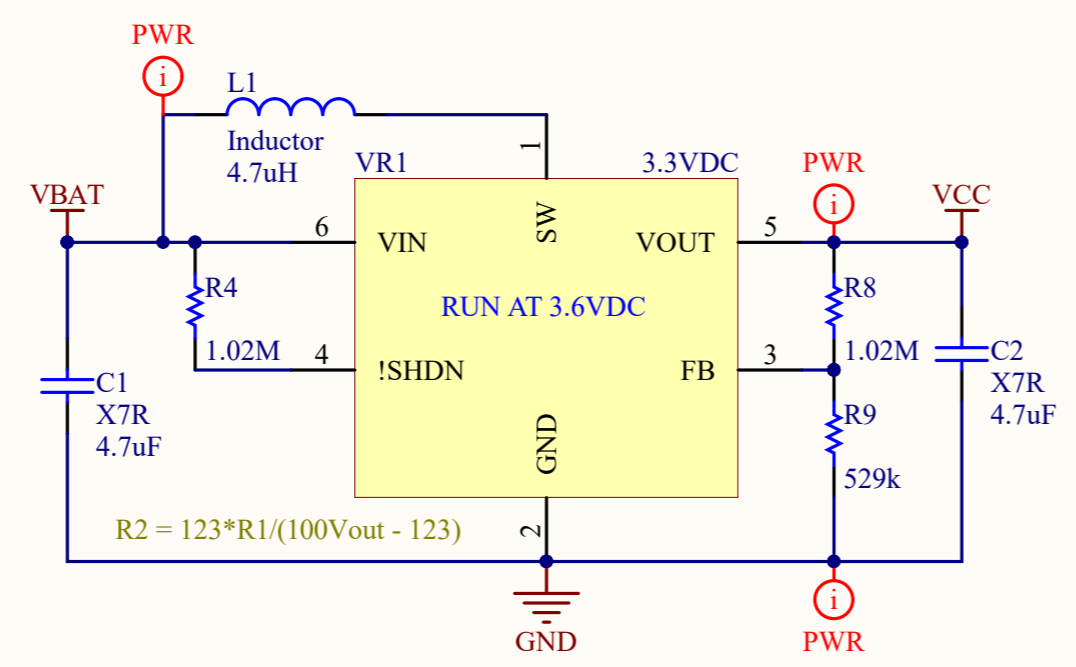
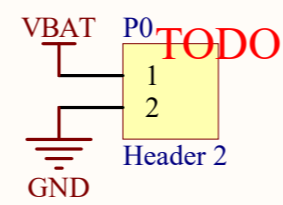
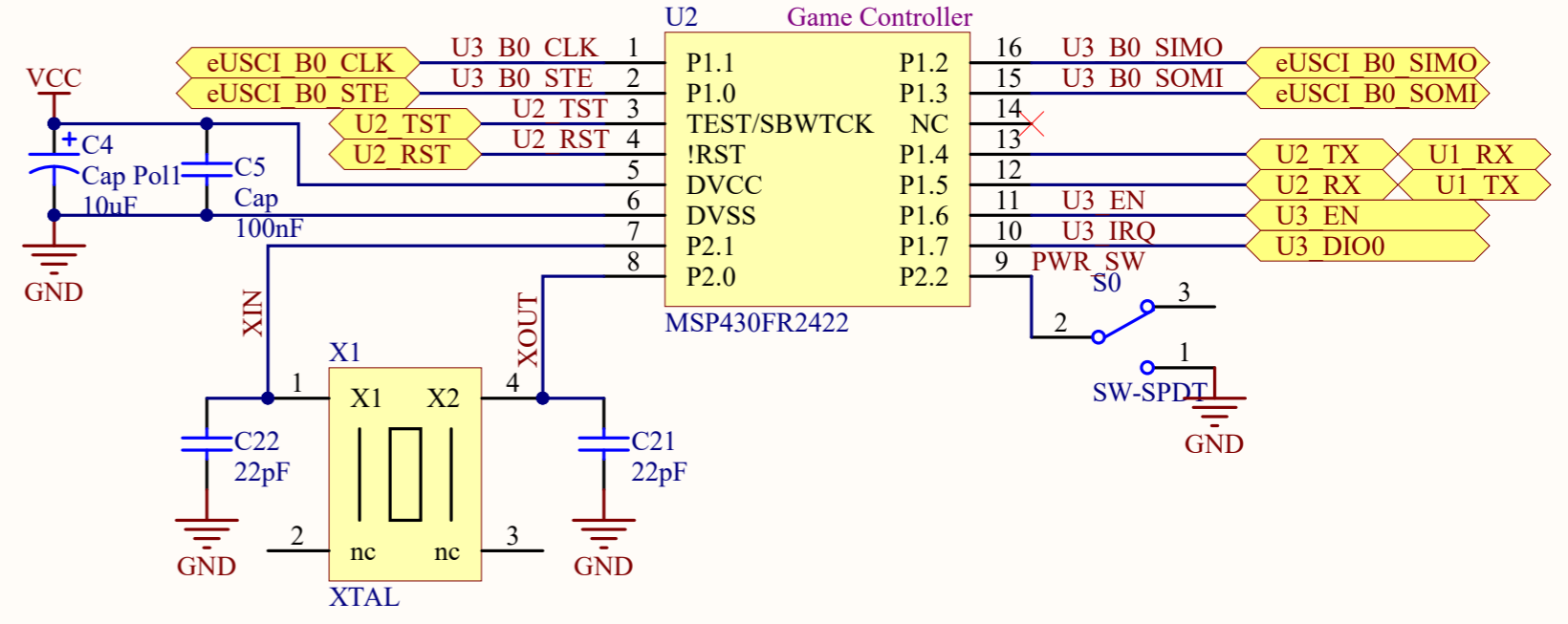
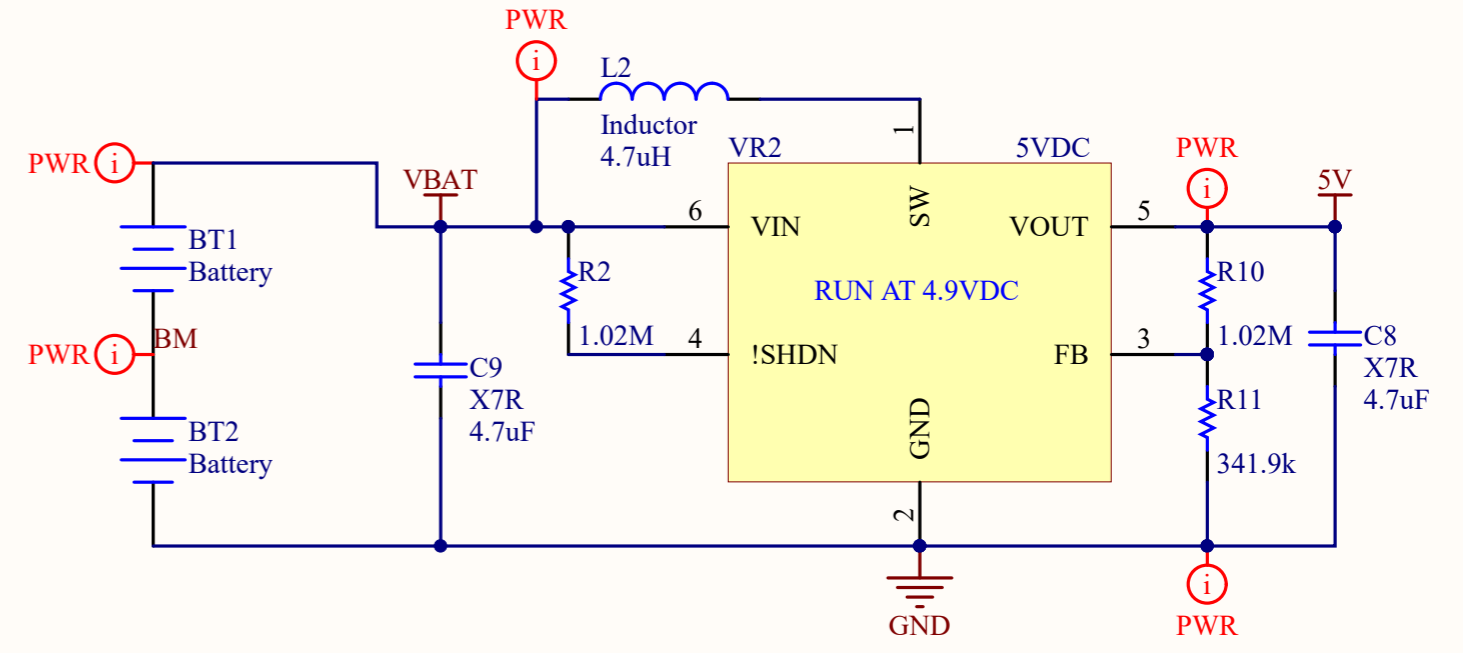


Shitty Add-on port

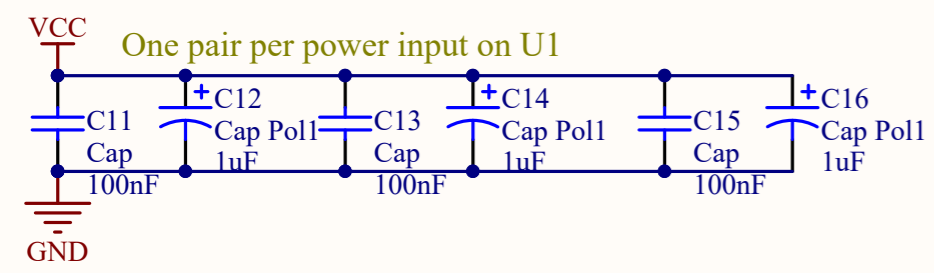
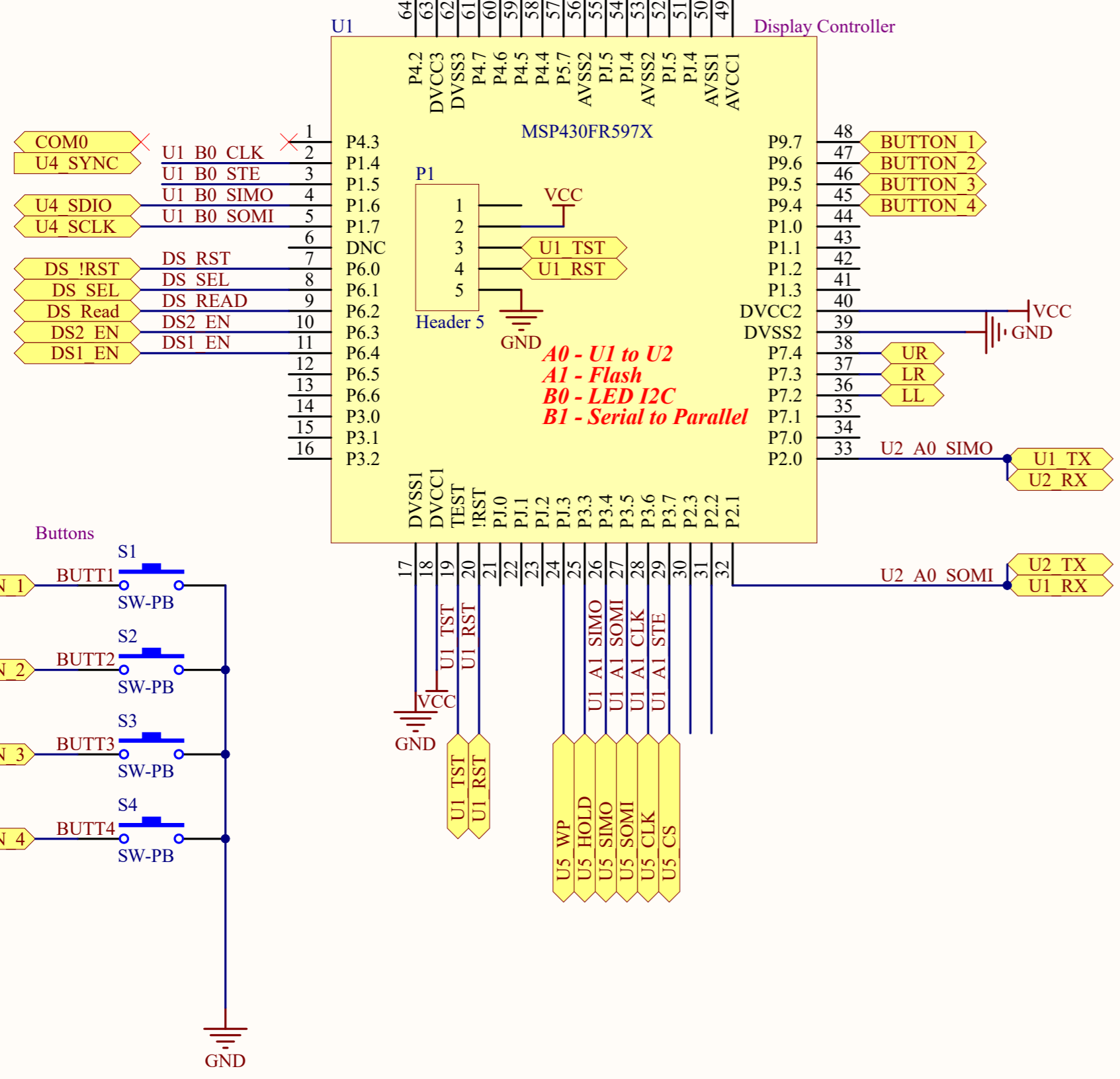
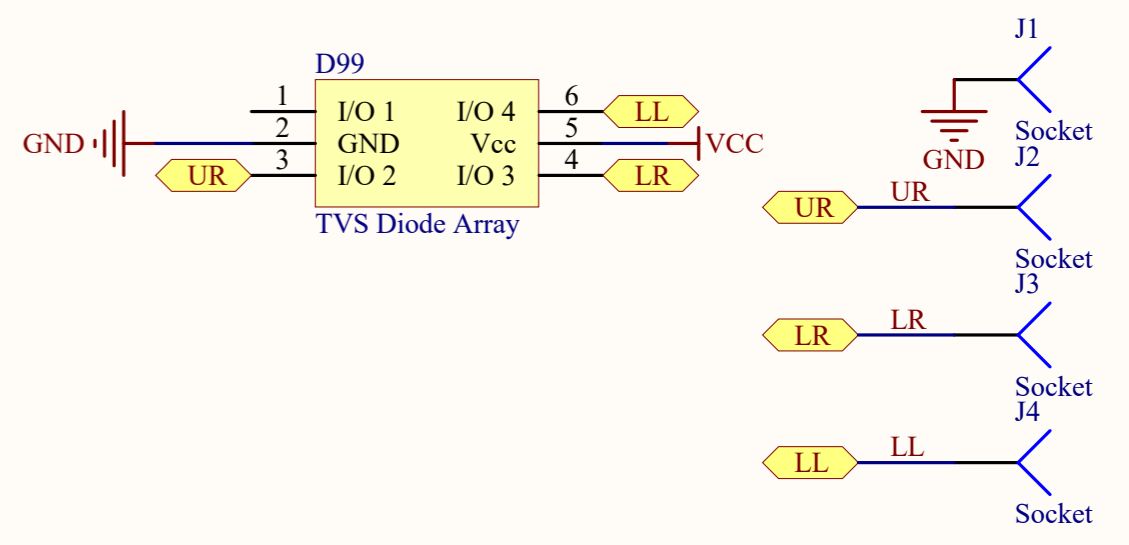
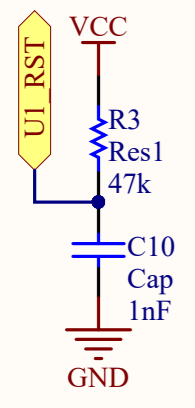


$$R2 = 123 * R1 / (100V_{out} - 123)$$



BOM is document of record on all part numbers and values

Title Main Controller			Queercon 2018 by Akio blinkylights.ninja *	
Size: Letter	Number: NA	Revision: B0		
Date: 8/6/2018	Time: 2:40:13 PM	Sheet 1 of 4	*	
File: D:\Dropbox\Queercon\QC15\2018 Badge Altium\1 MainController_rB0.SchDoc				



BOM is document of record on all part numbers and values

Title Display Controller			Queercon 2018 by Akio blinkylights.ninja	
Size: Letter	Number: NA	Revision: A1	*	
Date: 8/6/2018	Time: 2:40:13 PM	Sheet 3 of 4	*	
File: D:\Dropbox\Queercon\QC15\2018 Badge Altium\2 DisplayController rA1.SchDoc				



A

A

B

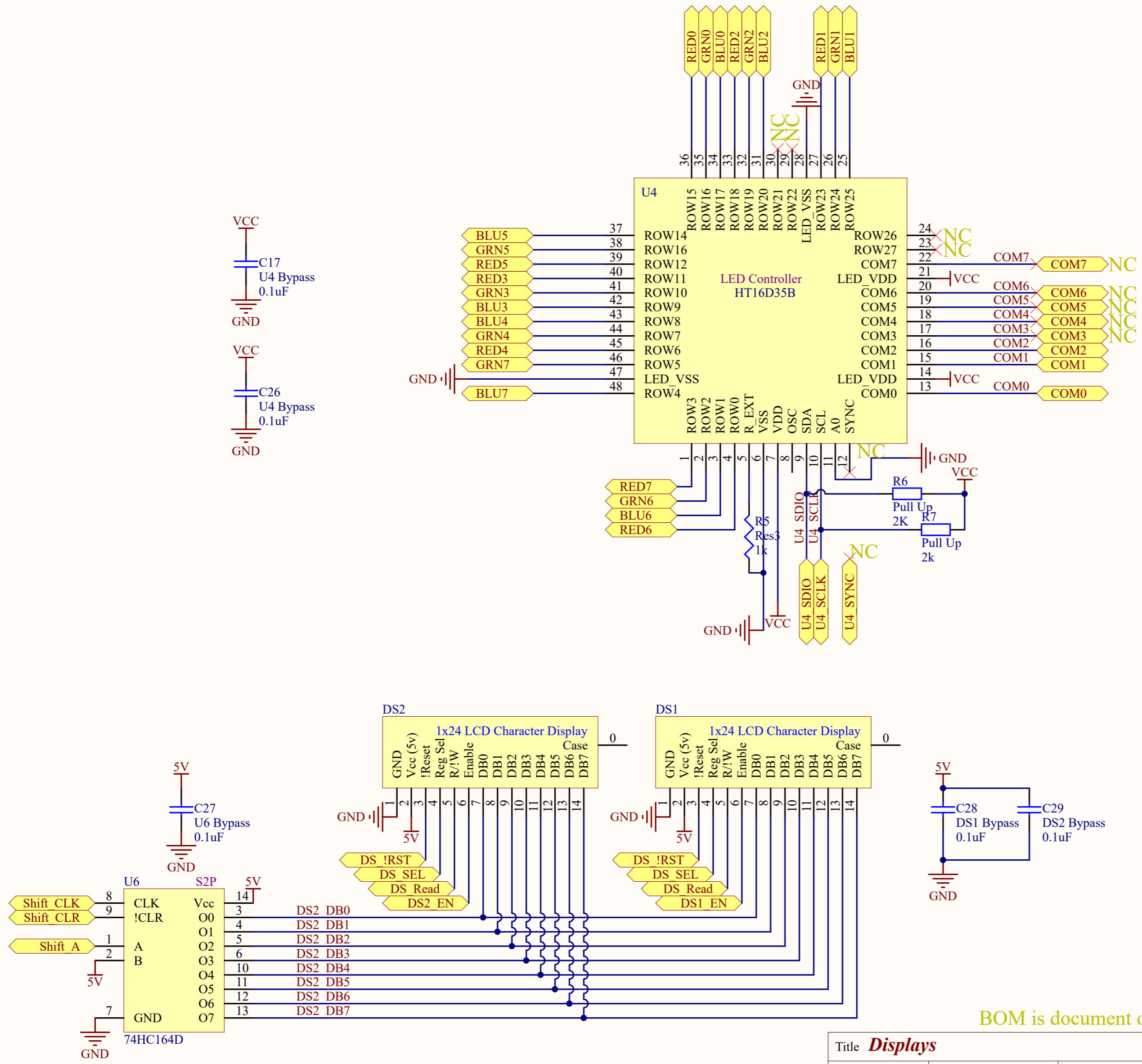
B

C

C

D

D



BOM is document of record on all part numbers and values

Title Displays		Queercon 2018 by Akio blinkylights.ninja queercon.org	
Size: Letter	Number: NA	Revision: A1	
Date: 8/6/2018	Time: 2:40:13 PM	Sheet 4 of 4	
File: D:\Dropbox\Queercon\QC15\2018 Badge Altium\4 Displays rA1.SchDoc			

